



深圳市艾贝特电子科技有限公司

ShenZhen ANEWBEST Electronic Technology CO.,LTD

TEL: 0755-36887336 FAX: 0755-36887404

ECON-SD800 全自动高效型锡渣分离机简介

ECON-SD800 Automatic Efficiency Solder Dross Separation Machine



功能描述:

本产品专利设计,近十年市场使用经验,集人性化需求、环保、安全、全球最先进技术为一体。主要针对波峰焊锡炉工作过程中产生的焊锡氧化物——锡渣,进行二次回收利用。此款设备适合离线独立操作使用,高效、智能,可无人操作,针对锡渣量大的客户非常实用。直接将收集好的锡渣投入,无需添加任何化学非化学物质,在直接通电情况下,机器预加热到**280**度,就能彻底、有效的将锡渣中有用的焊锡回收回来,二次利用,达到节约焊锡使用量,节省成本的目的。

Our company has accumulate nearly ten years marketing experience. The engineers could deeply know the demand of clients ,enviroment and the safety, So the most advanced technology could be integarated into the product. Tin residue is the main thing that our device facing .After the equipment processing, the dross will be refined ,and the recycled tin could be reused. This Intelligent and efficient model could be used under off-line situation ,and no worker is needed. During the working, the only thing you need to do is putting dross into the machine without any chemical .When the temperature reach 280 degree, the tin qualified for using would be puri



fed. By using our machine, a large amount of tin could be saved and the amount of the cost will reduce.

一. 产品特点及参数 Product features and parameters:

一、电控系统 Electronic System:

- 1、人机界面:WEINTEK TAIWAN 触摸屏 5.7" ;
HITECH GUI interface:WEINTEK TAIWAN 5.7" touch creen
- 2、内置时间控制系统: 可提前预制时间设置, 自动开关机;
Built-in time control system: time pre-setting, automatic turn on/off
- 3、加热方式, 模拟量 PID 功能, 无触点可控硅控制;
PID function heating mold with zero touch

二、锡渣输入系统: Dross loading system

- 采用同步螺旋自动将碎锡渣输入进搅拌区焊锡内部, 锡渣周转盒, 一次可装 30KG 容量;
In-phase screw scraps dross and drive it into mixing area which equipped with dross powder container of 30kg capacity.

三、搅拌系统: Mixing System

- 1、搅拌区底锡容量: 100KG, 外加热式融锡系统: 使锡渣加热均匀, 升温快, 节约电能;
100kg capacity with outside heating mold melting system. It makes tin warm up evenly and rapidly, save energy.
- 2、搅拌电机 400W 380V 3P 采用蜗轮蜗杆传动搅拌机构, 更省力, 同时避免电机与高温部件直接接触;
400W 380V 3P mixing motor uses worm wheel structure to avoid motor directly connect with high temperature part.
3. 特殊设计的搅拌机构, 使锡渣均匀熔解并实现一级粗分离;
Special designed mixing structure makes dross evenly melted.
4. 测温热电偶, 检测液态焊锡的温度, 更精确的反馈锡渣的熔解温度;
Temperature couple check liquid dross temperature and feedback accurately.

四、出锡成形系统: Pure Tin Molding System

- 1、分离出来的焊锡收集区: 容量达 30KG, 采用排体方式自动定量排锡, 确保锡条成形均匀性;
When pure tin reaches to 30kg, the machine automatically discharge the tin out to the container.
- 2、标准成形铝槽: 1.3KG/槽, 16 槽;
Molding slot: 1.3kg/slot, 16pcs slots
- 3、自动输出装置: 与排锡电机同步动作的输出, 完全确保高温焊锡的收集与输送;
Automatic output device: in-phase with discharge system to collect and output the pure solder.
4. 内置强制冷却: 成型锡条极速冷却, 减少氧化, 加快成型, 提高效率;
Inner force cooling system makes solder bar cool down in short time.

五、烟雾净化系统: Fog purify system

- 1、水帘式过滤+活性炭过滤棉, 过滤烟雾中的颗粒与异味气体 ;
Water filtering + activated carbon filter cotton, filtering the smoke particles and peculiar smell gas

六、整机基本参数: Body Parameters

- 1、外观采用流线型圆弧加立体三维设计, 绿色圆弧玻璃, 美观大方, 带有视窗, 方便维护和操作;
Streamline appearance with 3D design, green arc glass to see the operation and easy maintenance.
- 2、整机电源 Power Supply: 3P 4 ϕ 380V /AC



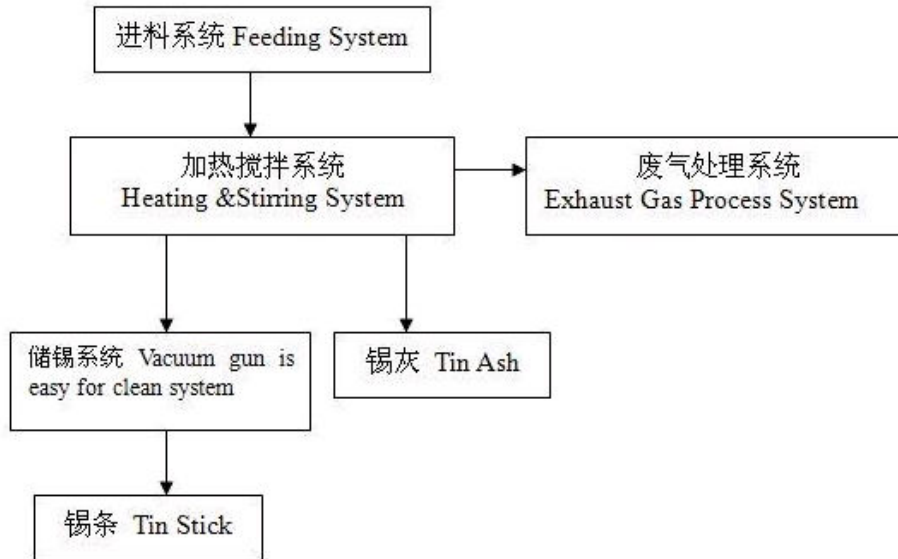
3、整机尺寸 Size: L1800mm*W1050mm*H1600mm;

4、重量 Weight 500KG

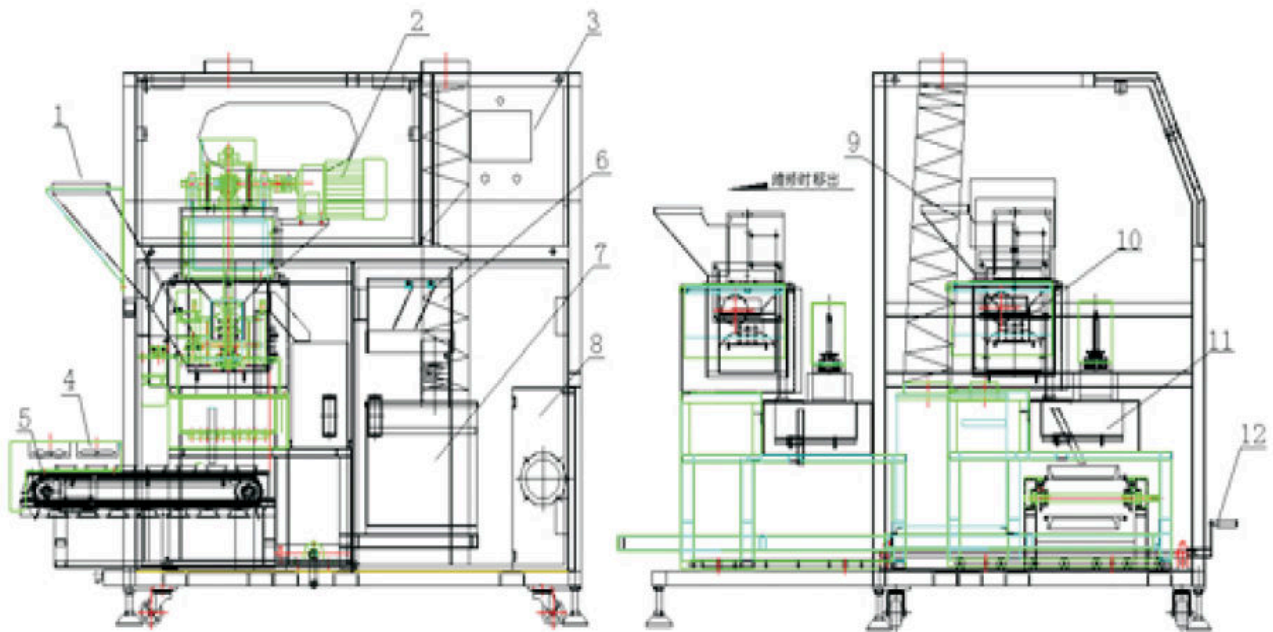
5、整机功率 Power: 5.8KW

6、工作功率 Working Power 1.8KW

二. 工作流程 Operating Process



三. 整机示意图 Whole sketch ma



1 手动加料口

4 冷却风扇

7 二级水箱

10 分离区

2 分离马达

5 自动排锡装置

8 电箱

11 储锡区

3 控制面板

6 一级水过滤箱

9 自动加料口

12 播出手轮